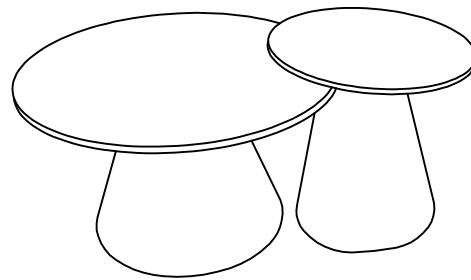
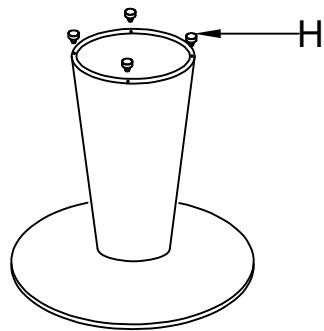
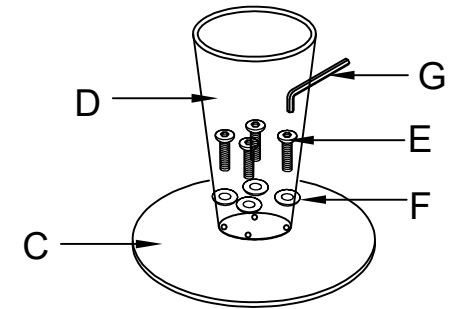
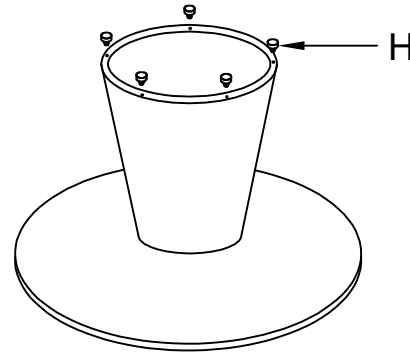
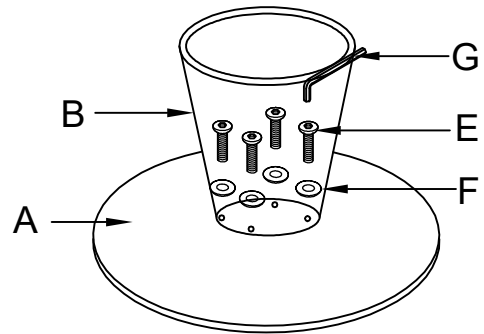


sofaforma

ASSEMBLY INSTRUCTIONS
MODEL NO. : SAMBA



A . X1



B . X1



C . X1



D . X1



E . X8



F . X8



G . X1



H . X9

