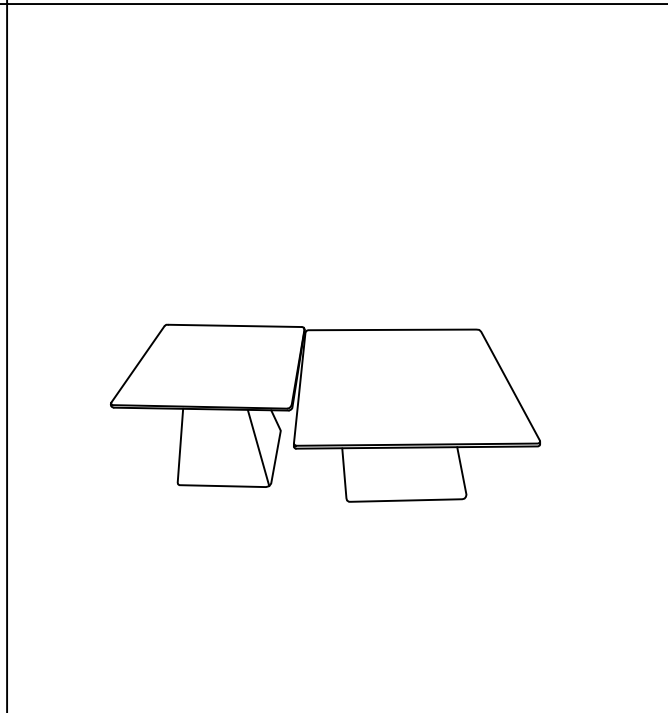
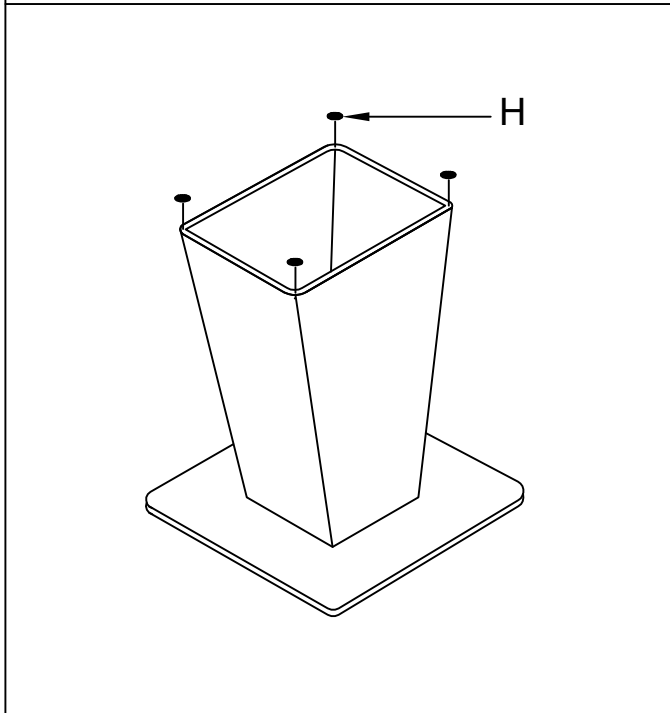
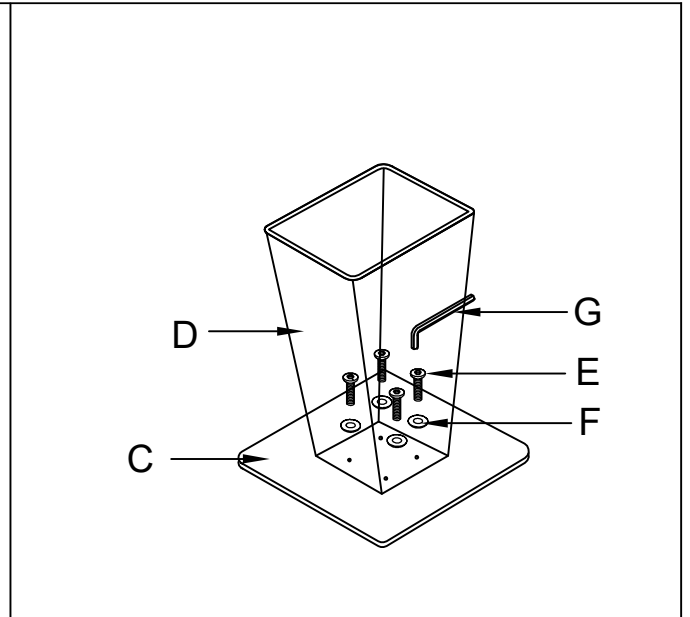
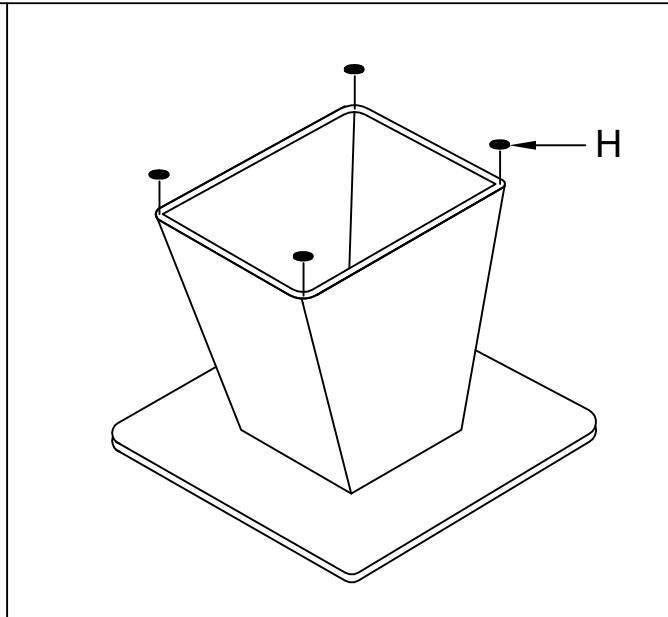
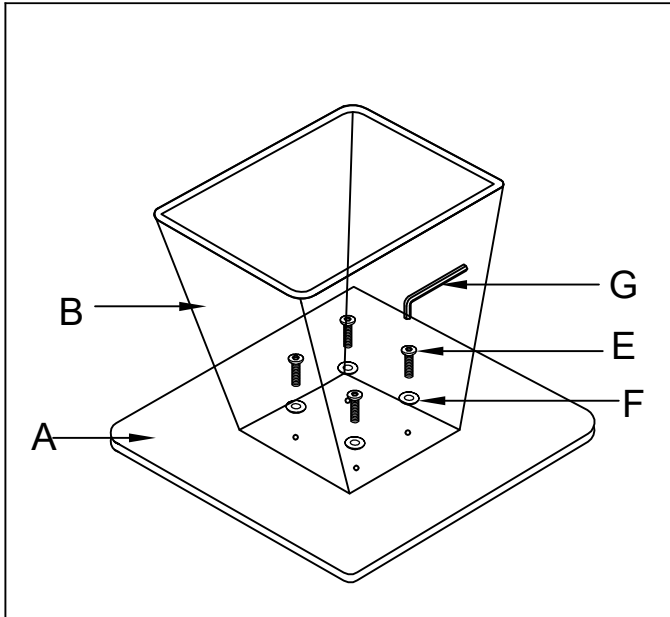


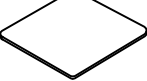






sofaforma

ASSEMBLY INSTRUCTIONS
MODEL NO. : FLAMENCO



A . X1 	B . X1 	C . X1 
D . X1 	E . X8 	F . X8 
G . X1 	H . X8 