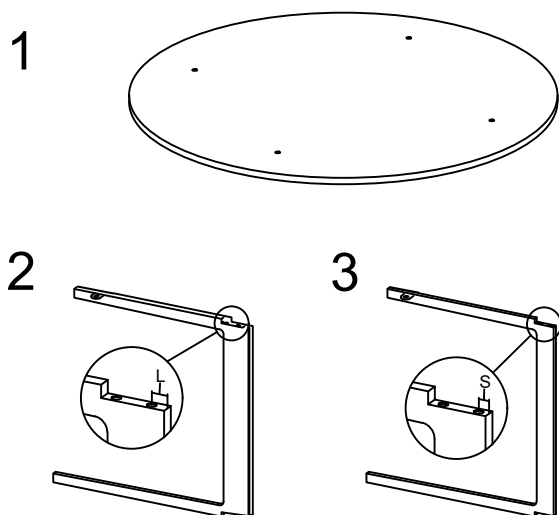







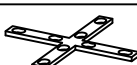
ASSEMBLY INSTRUCTION

PARTS LIST



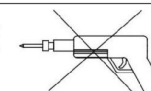
REF	PART NAME	QYT
A	TABLE TOP	1PC
B	TABLE LEG 1	2PCS
C	TABLE LEG 2	2PCS
D		1PC

HARDWARE LIST

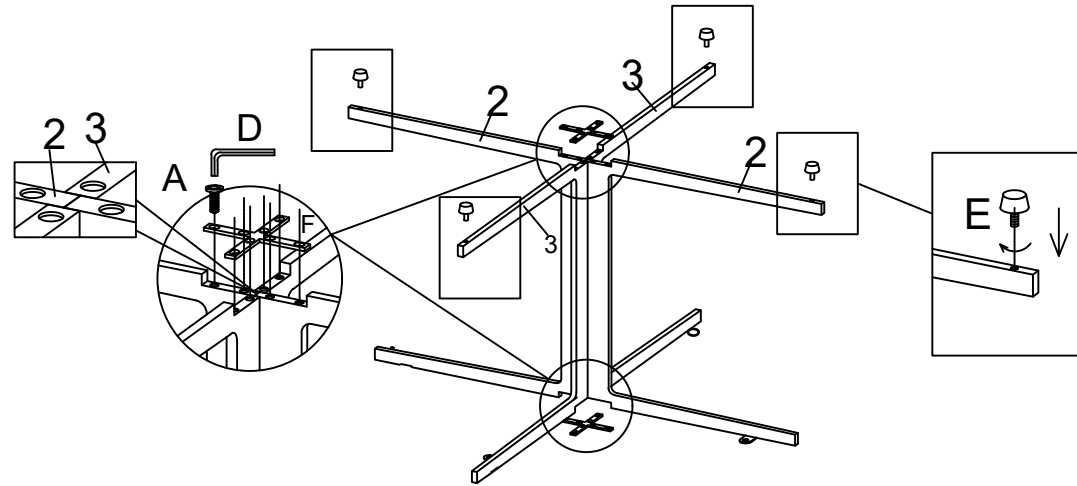
REF	HARDWARE NAME	QYT
A	 M6X10	16PCS
B	 M8X20	4PCS
C		4PCS
D	 M5	1PC
E		4PCS
F		2PCS

PLEASE CHECK THAT YOU HAVE ALL THE PARTS BEFORE YOU START ASSEMBLING. IF YOU FIND SOMETHING IS MISSING, DO NOT CONTINUE ASSEMBLY. PLEASE CONTACT YOUR SUPPLIER IMMEDIATELY.

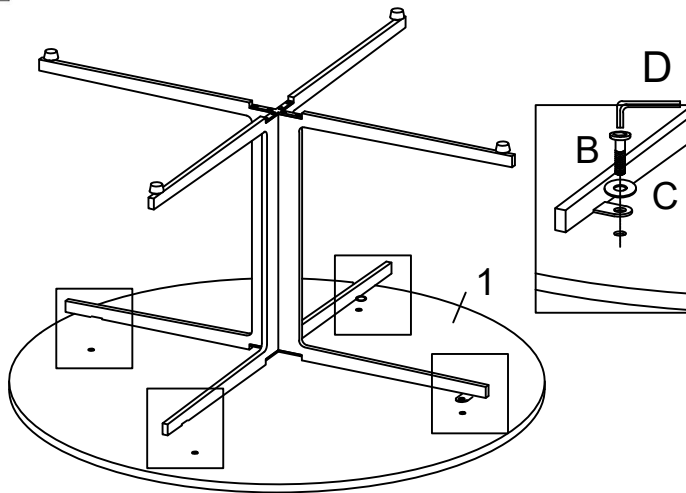
USE OF POWER TOOLS TO ASSEMBLE THIS PRODUCT WILL INVALIDATE ANY CLAIM AND MAY DAMAGE THIS PRODUCT MAKING IT UNSAFE.



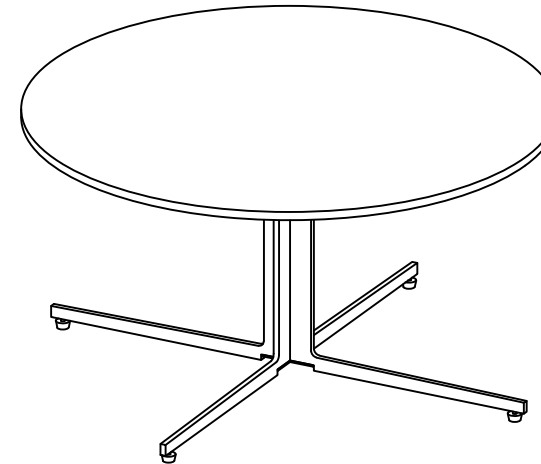
Step 1



Step 2



Step 3



USE OF POWER TOOLS TO ASSEMBLE THIS PRODUCT WILL INVALIDATE ANY CLAIM AND MAY DAMAGE THIS PRODUCT MAKING IT UNSAFE.

